



BELLE
LIGHT
CONSTRUCTION
EQUIPMENT



MIDISCREED 200 FREE SCREEDER



BELLE
LIGHT
CONSTRUCTION
EQUIPMENT



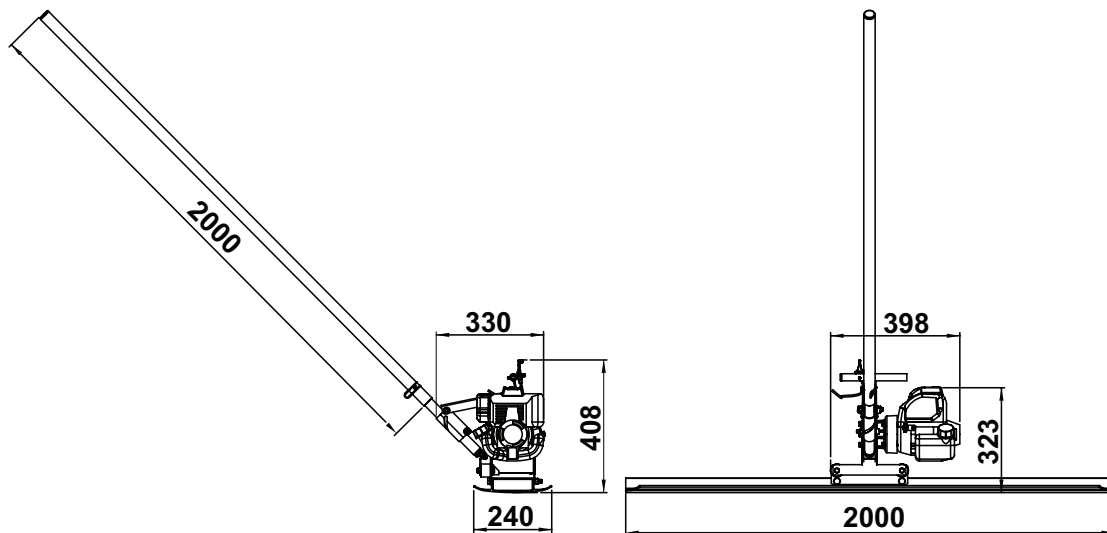
FEATURES & BENEFITS

- Designed for quick and easy 'form free' screeding.
- Vibrates to improve concrete compaction and surface finish.
- Tilting head allows screeding in either direction.
- Reliable direct drive vibrator unit.
- Easily disassembled for ease of transport



TECHNICAL SPECIFICATIONS

Model	Honda GX25		Model	230v	
Code	157.9.030		Code	157.9.007	
Engine Power	(kW / hp)	0.71 / 1	Motor Power	(kW / hp)	0.35 / 0.5
Speed	(rpm)	7000	Speed	(rpm)	7000
Vibration	(kN)	2.3	Vibration	(kN)	2.3
Weight	(kg)	19	Weight	(kg)	19
Sound Power Level	(dB(A))	101	Sound Power Level	(dB(A))	101



ALTRAD BELLE
 Sheen, Nr. Buxton, Derbyshire, SK17 0EU, GB
 Tel. +44 (0)1298 84606 - Fax +44 (0)1298 84722 - Email: sales@altrad-belle.com
www.Altrad-Belle.com
www.ALTRAD-Belle247.com

